

# Cavity Filter

## ACF2500M2570M45S

### Revision record

Date	Version	Author	Revision description	Comment
2024/09/13	V1.0	Lee	Created	/

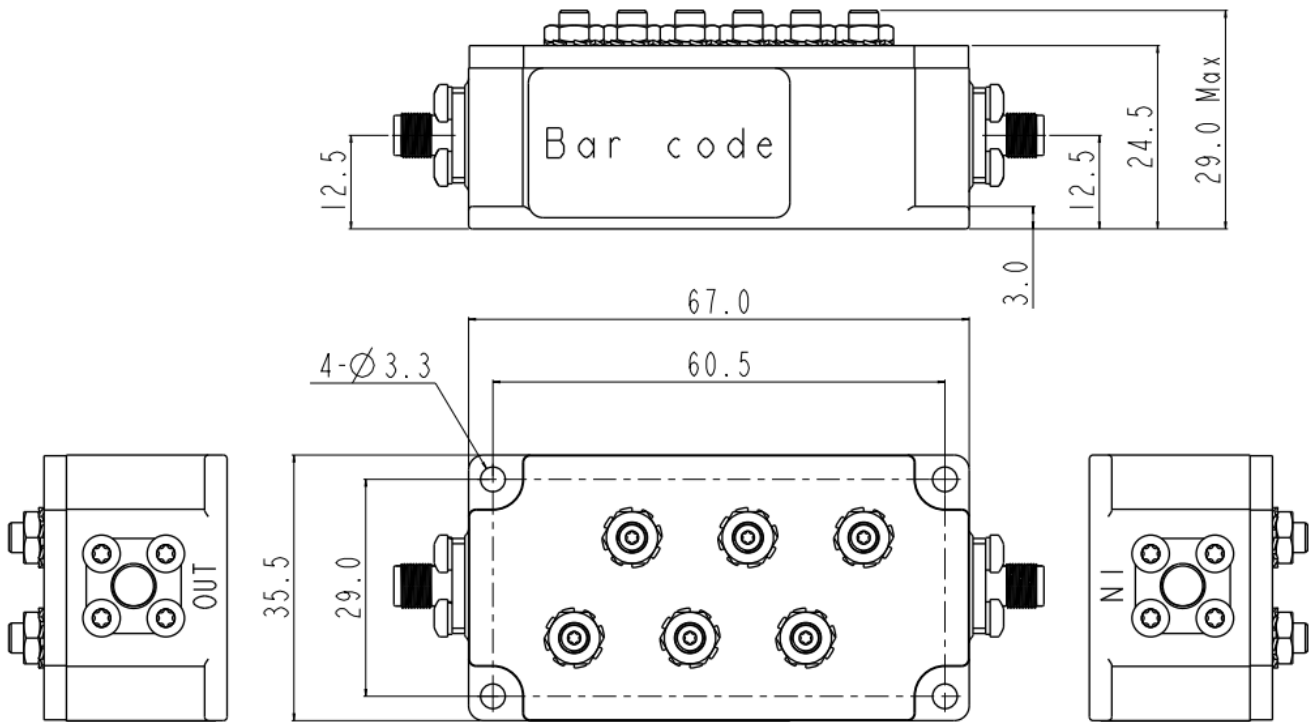
### Electrical specification

Parameter	Specifications	
Frequency range	2500-2570MHz	
Insertion loss	Temp	Normal: $\leq 2.4\text{dB}$
		Full: $\leq 2.7\text{dB}$
Ripple	Temp	Normal: $\leq 1.9\text{dB}$
		Full: $\leq 2.3\text{dB}$
Return loss	$\geq 18\text{dB}$	
Rejection	$\geq 45\text{dB}$ @ DC-2450MHz $\geq 20\text{dB}$ @ 2575-3800MHz	
Input port power	30W Average	
Common port power	30W Average	
Impedance	50 $\Omega$	
Temperature range	-40°C to +85°C	

### Mechanical specification

Parameter	Specification
Dimension	L x W x H: 67mm x 35.5mm x 24.5mm(Max:29.0mm)
Connectors	SMA-Female
Finish	Black (Paint spraying)
Mounting	4- $\Phi 3.3$ through
Application	Indoor
Notes	Material shall be RoHS 6/6

Outline



Simulation curve

