

# Cavity Filter

## ACF2025M2110M70TWP

### Revision record

Date	Version	Author	Revision description	Comment
2024/09/12	V1.0	Lee	Created	/

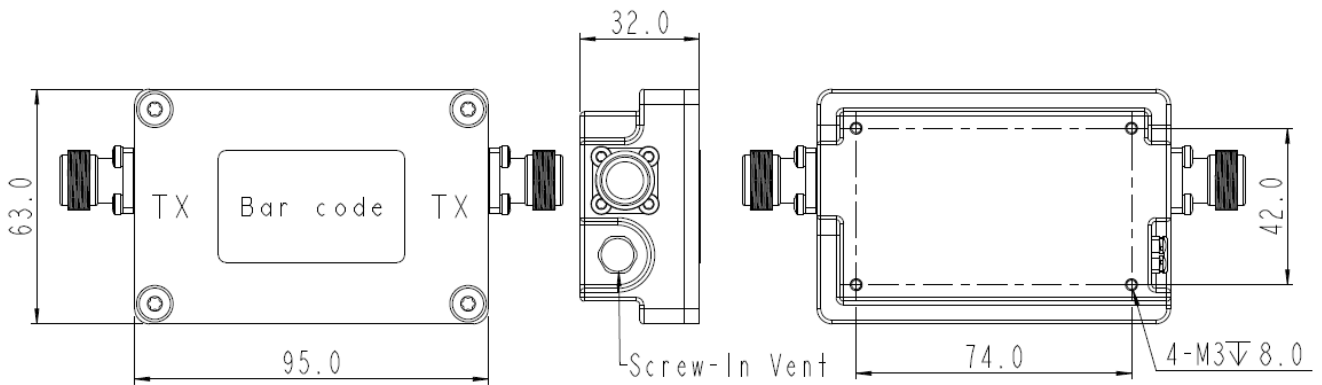
### Electrical specification

Parameters	Specification
Frequency range	2025-2110MHz
Return loss	≥15dB
Insertion loss	≤1.0dB
Isolation	≥70dB@2200-2290MHz
Power	50 Watts
Temperature range	-40°C to +85°C
Impedance	50Ω

### Mechanical specification

Parameter	Specification
Dimension	L x W x H: 95mm x 63mm x 32mm
Connectors	N-Female
Mounting	4-M3 deep 8.0
Finish	Gray, Akzo Nobel RA7035, Powder spraying
Environmental	IP68 (Ecuador (rainy), Sweden (Heavy snow))
Notes	Material shall be RoHS 6/6

## Outline



## Simulation curve

