

Cavity Combiner

A2CC1900M2620M70NH

Revision record

Date	Version	Author	Revision description	Comment
2024/09/12	V1.1	Sam	Created	/

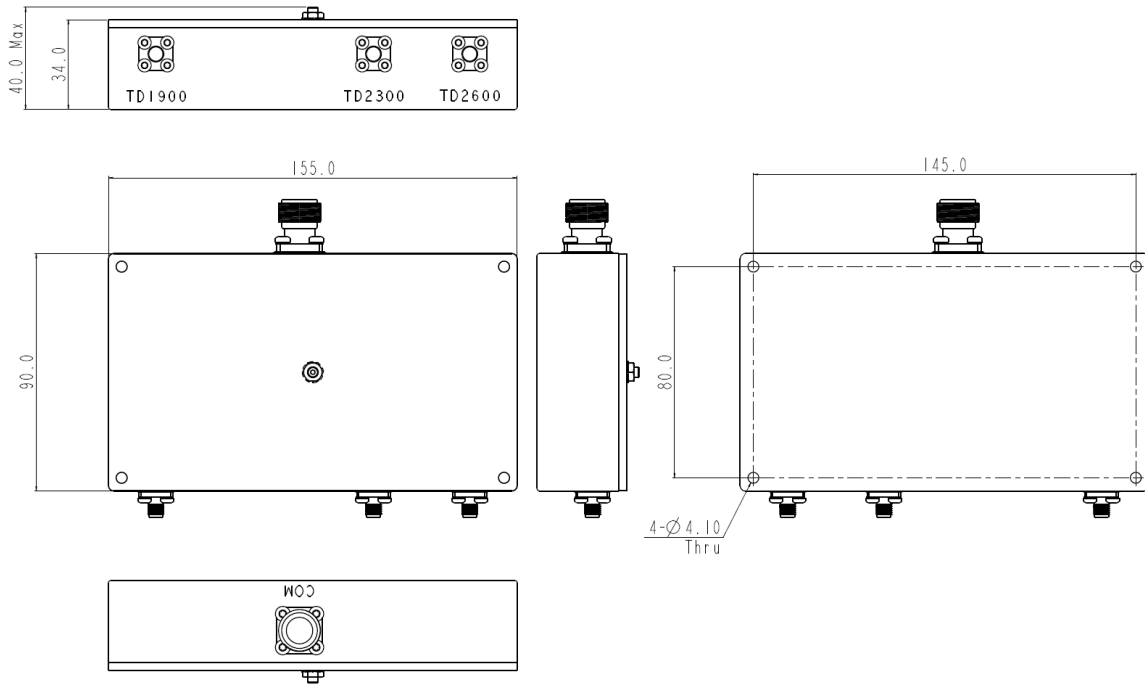
Electrical specification

Parameter	Specification		
	TD1900	TD2300	TD2600
Frequency range	1900-1920MHz	2300-2400MHz	2570-2620MHz
Insertion loss	≤0.5dB		
Ripple	≤0.5dB		
Return loss	≥18dB		
Rejection	≥70dB@Between bands		
Power	Com:300W; TD1900; TD2300; TD2600:100W		
Impedance	50Ω		

Mechanical specification

Parameter	Specification	
Dimension	L x W x H: 155mm x 90mm x 34mm (40.0mm Max)	
Connectors	Com: N-Female	SMA-Female
Finish	Ct.Ocd	
Notes	Material shall be RoHS 6/6	

Outline



Simulation curve

