



Apex Microwave Co. LTD

Web: www.apextech-mw.com E-mail: sales@apextech-mw.com TEL: [+86-28-85555062](tel:+86-28-85555062)

Add: Yuehu Technology Center, Wuhou District, Chengdu, Sichuan, China

Power Tapper 136-960MHz

Revision record

Date	Version	Author	Revision description	Comment
2024/11/13	V1.0	Vivian	Created	/

APT136M960MxdBNF

Electrical specification

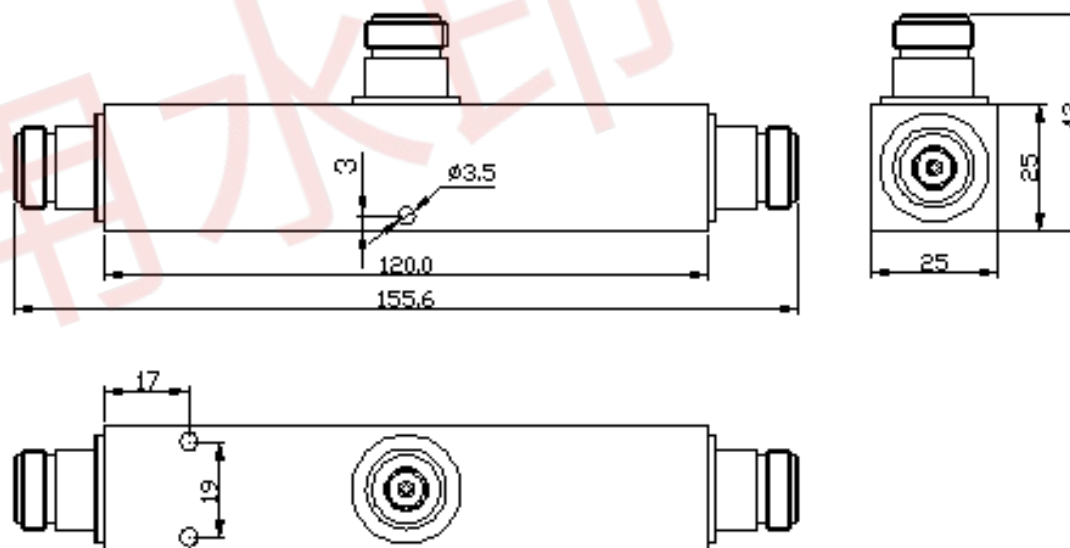
Parameter		Specifications					
Frequency range(MHz)		136-960MHz					
Coupling (dB)		5	7	10	13	15	20
Range (dB)	136-200	6.3±0.7	8.1±0.7	10.5±0.7	13.2±0.6	15.4±0.6	20.2±0.6
	200-250	5.7±0.5	7.6±0.5	10.3±0.5	12.9±0.5	15.0±0.5	20.2±0.6
	250-380	5.4±0.5	7.2±0.5	10.0±0.5	12.7±0.5	15.0±0.5	20.2±0.6
	380-520	5.0±0.5	6.9±0.5	10.0±0.5	12.7±0.5	15.0±0.5	20.2±0.6
	617-960	4.6±0.5	6.6±0.5	10.0±0.5	12.7±0.5	15.0±0.5	20.2±0.6
VSWR		1.40:1	1.30:1	1.25:1	1.20:1	1.15:1	1.10:1

Intermodulation (dBc)	-160, 2x43dBm (Reflection Measurement 900MHz)
Power Rating(W)	200
Impedance(Ω)	50
Operational Temperature	-35°C to +85°C

Mechanical specification

Dimension	155.6 x 43.0 x 25.0mm
Connector	N-Female
Applications	IP65
Notes	Material shall be RoHS 6/6

Outline





Apex Microwave Co. LTD

Web: www.apextech-mw.com E-mail: sales@apextech-mw.com TEL: [+86-28-85555062](tel:+86-28-85555062)

Add: Yuehu Technology Center, Wuhou District, Chengdu, Sichuan, China

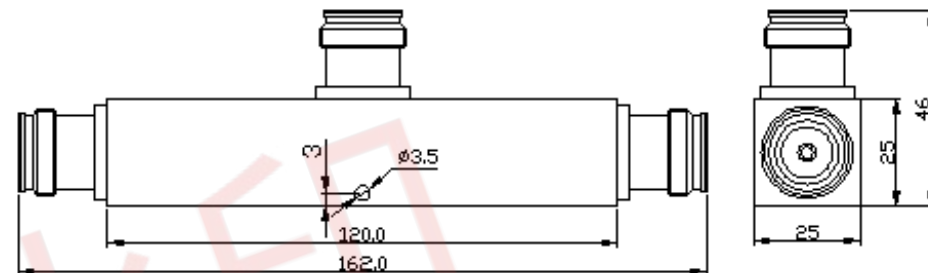
APT136M960MxdB4310F

Parameter		Specifications					
Frequency range(MHz)		136-960MHz					
Coupling (dB)		5	7	10	13	15	20
Range (dB)	136-200	6.3±0.7	8.1±0.7	10.5±0.7	13.2±0.6	15.4±0.6	20.2±0.6
	200-250	5.7±0.5	7.6±0.5	10.3±0.5	12.9±0.5	15.0±0.5	20.2±0.6
	250-380	5.4±0.5	7.2±0.5	10.0±0.5	12.7±0.5	15.0±0.5	20.2±0.6
	380-520	5.0±0.5	6.9±0.5	10.0±0.5	12.7±0.5	15.0±0.5	20.2±0.6
	617-960	4.6±0.5	6.6±0.5	10.0±0.5	12.7±0.5	15.0±0.5	20.2±0.6
VSWR		1.40:1	1.30:1	1.25:1	1.20:1	1.15:1	1.10:1
Intermodulation (dBc)		-160, 2x43dBm (Reflection Measurement 900MHz)					
Power Rating(W)		200					
Impedance(Ω)		50					
Operational Temperature		-35°C to +85°C					

Mechanical specification

Dimension	162.0 x 46.0 x 25.0mm
Connector	4310-Female
Applications	IP65
Notes	Material shall be RoHS 6/6

Outline



Mounting bracket Outline

